



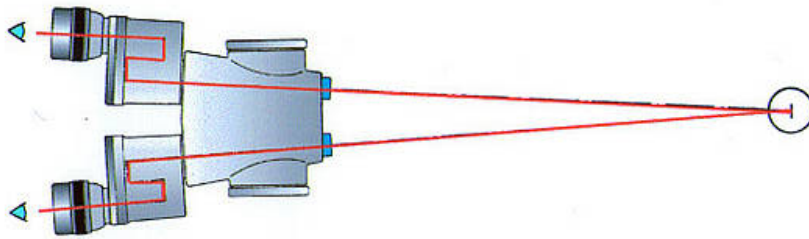
producing quality

Sales

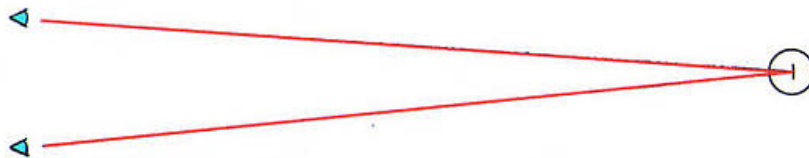
Training Course

OPTIC

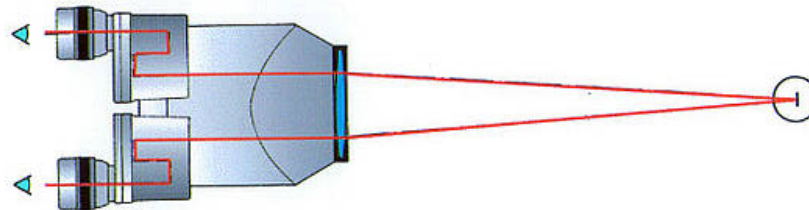
OPTIC SYSTEMS



CONVERGENT SYSTEM

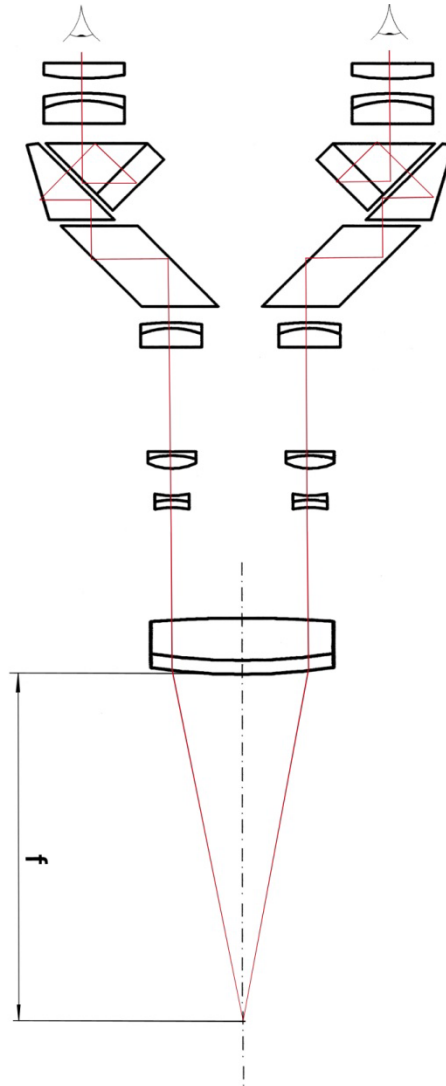


EYES



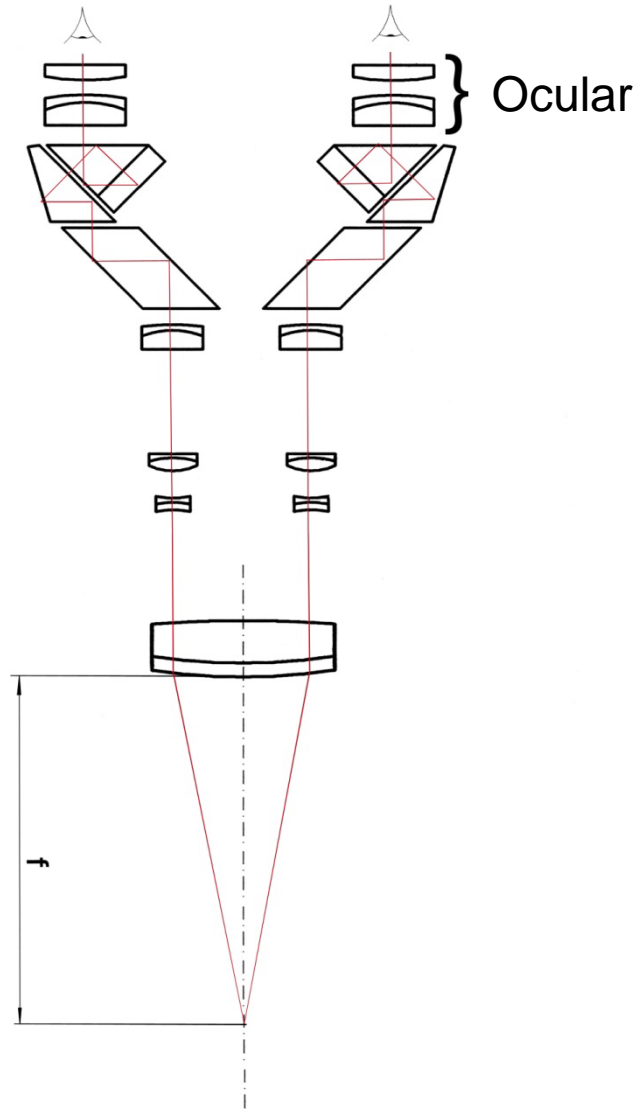
PARALLEL SYSTEM

OPTIC DIAGRAM

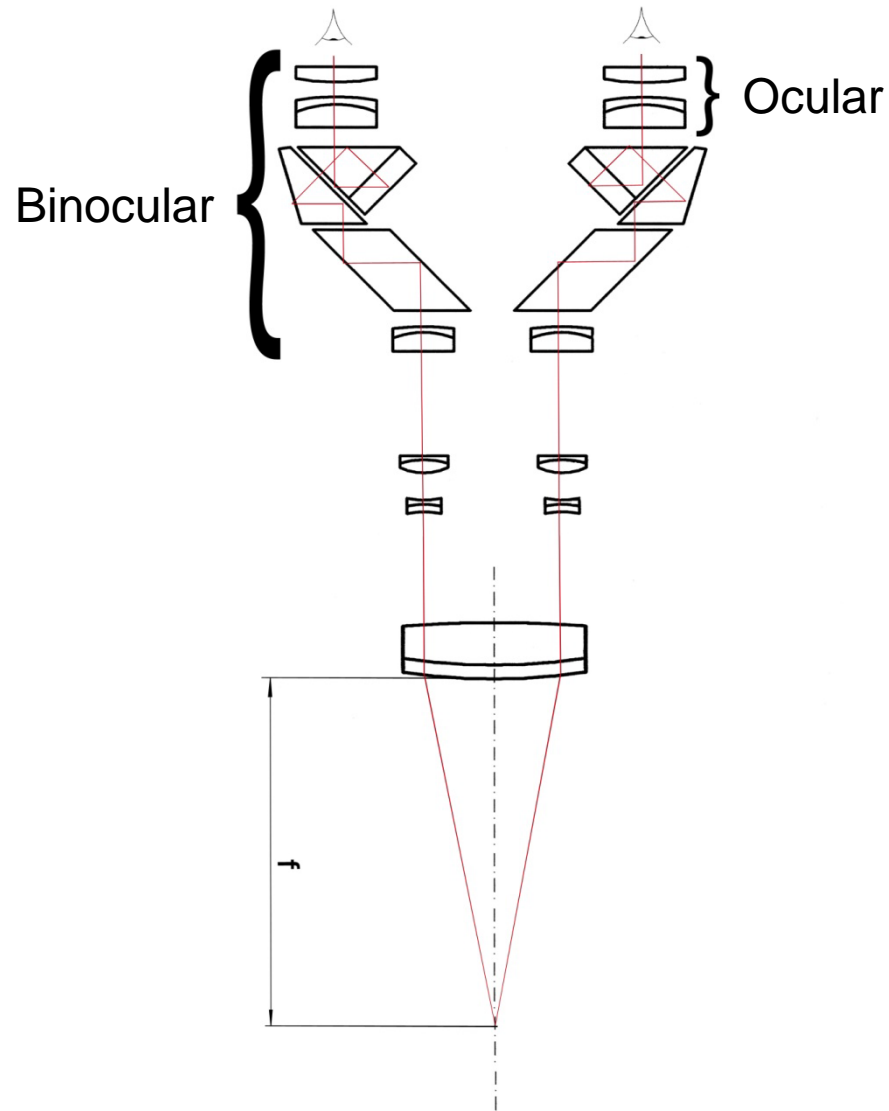


OPTIC

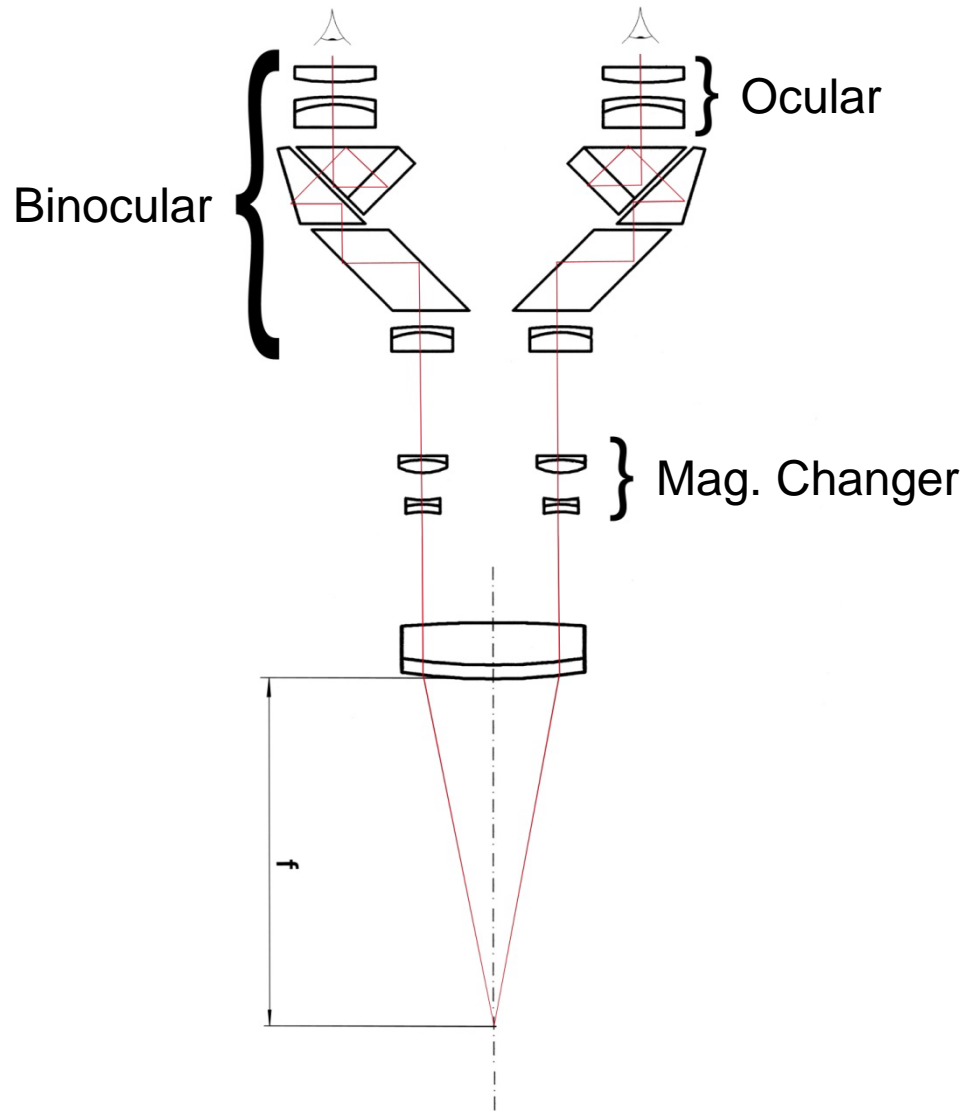
OPTIC DIAGRAM



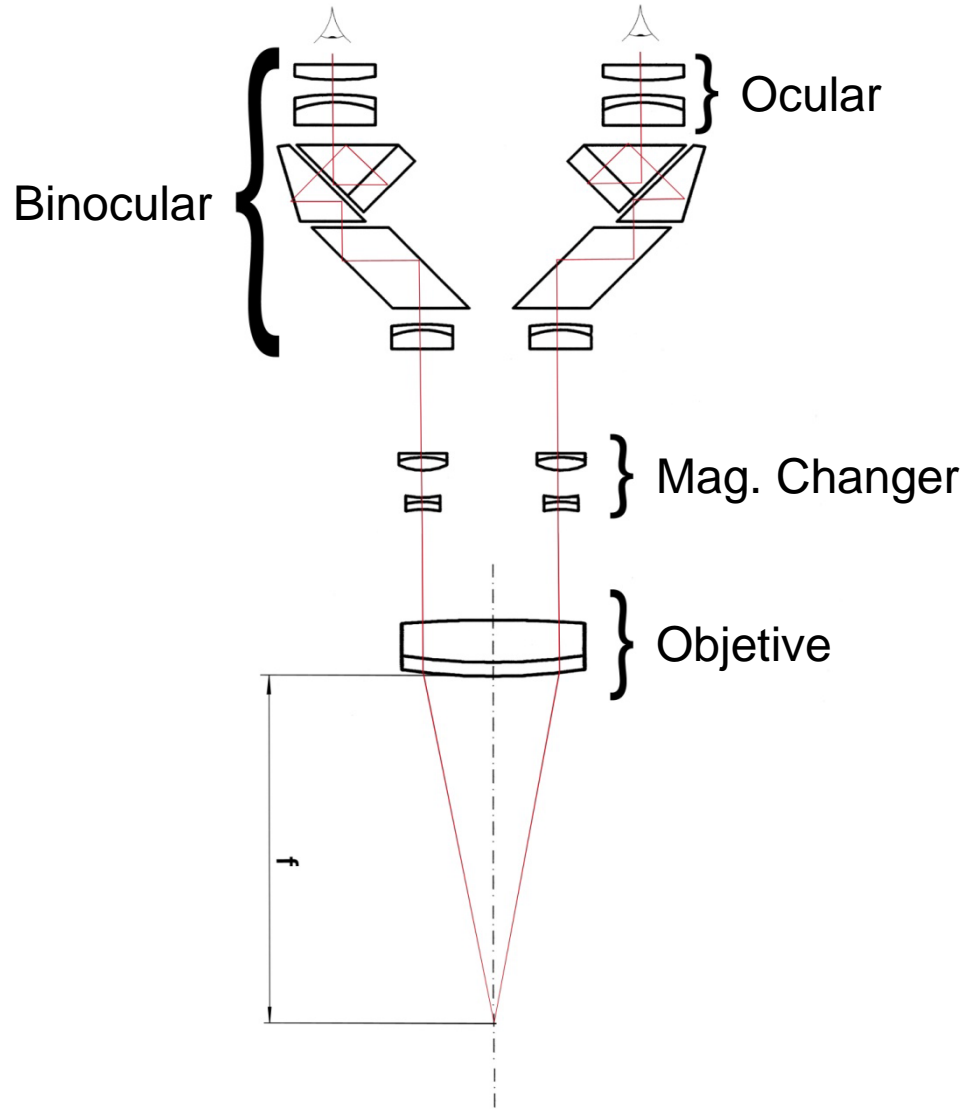
OPTIC DIAGRAM



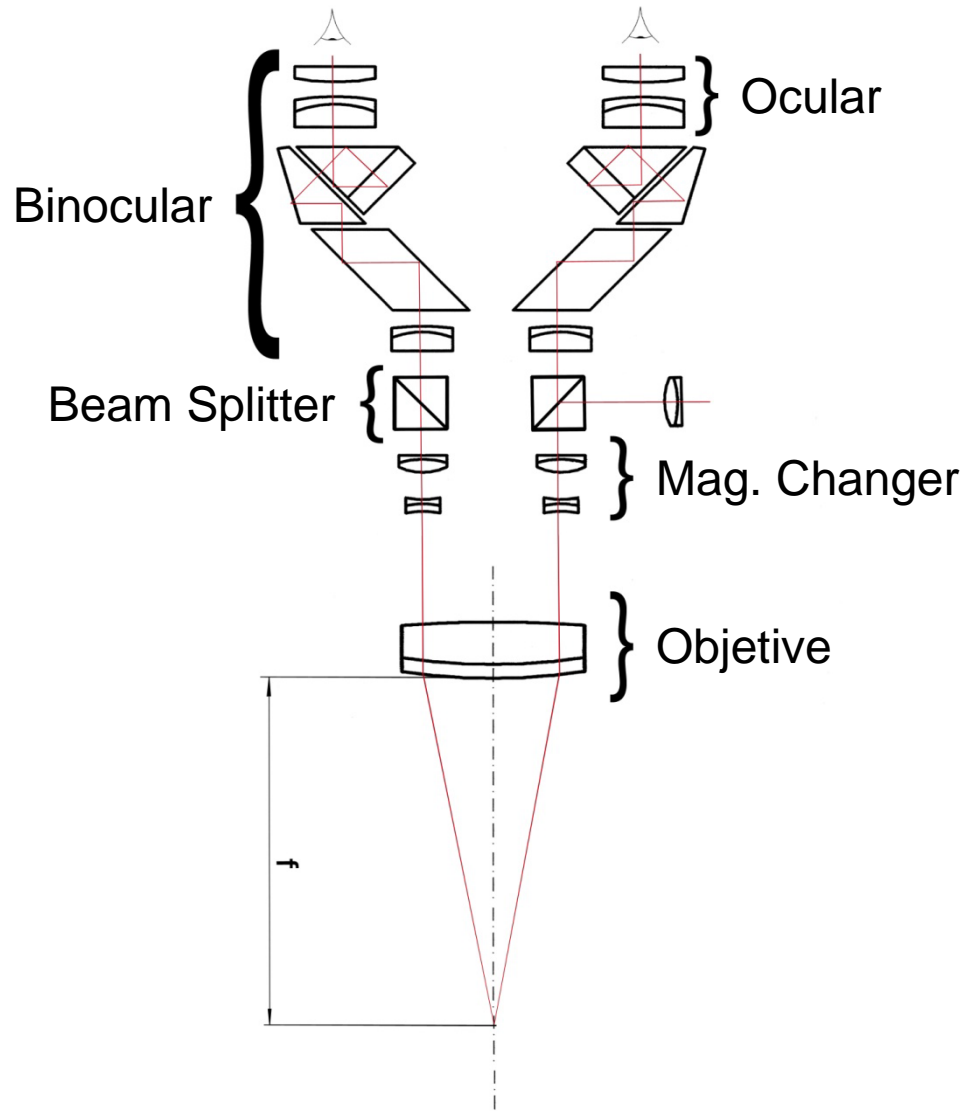
OPTIC DIAGRAM



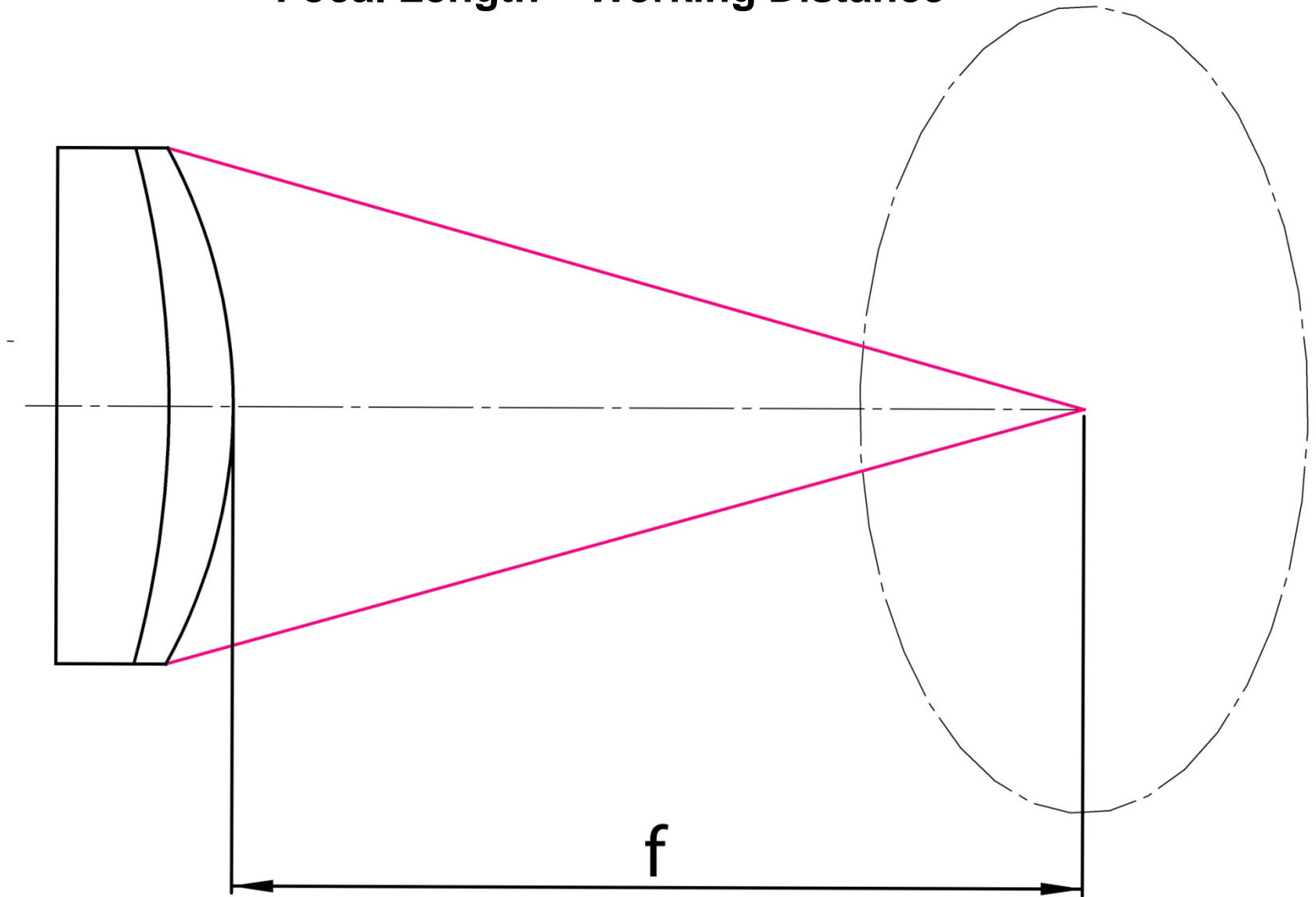
OPTIC DIAGRAM



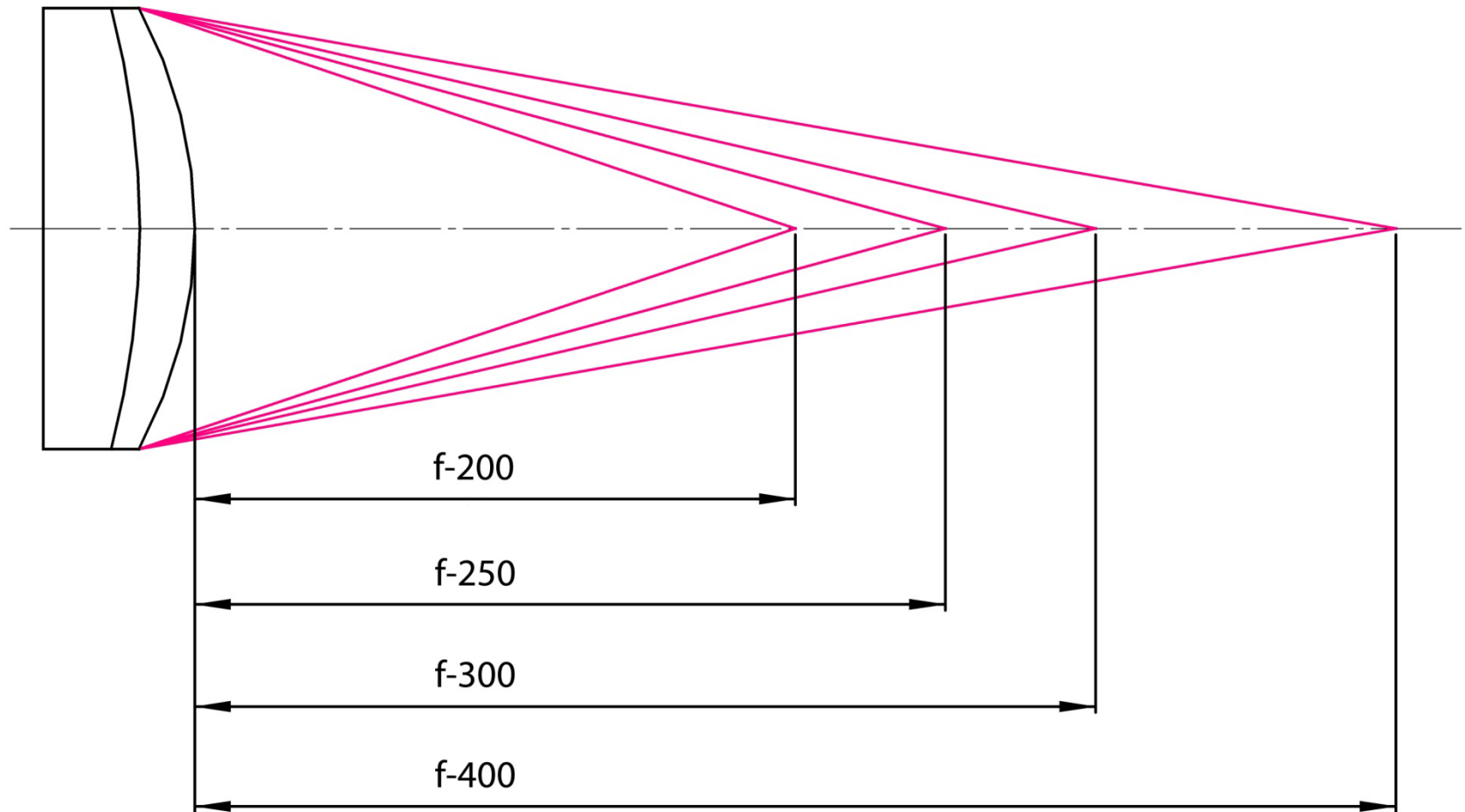
OPTIC DIAGRAM



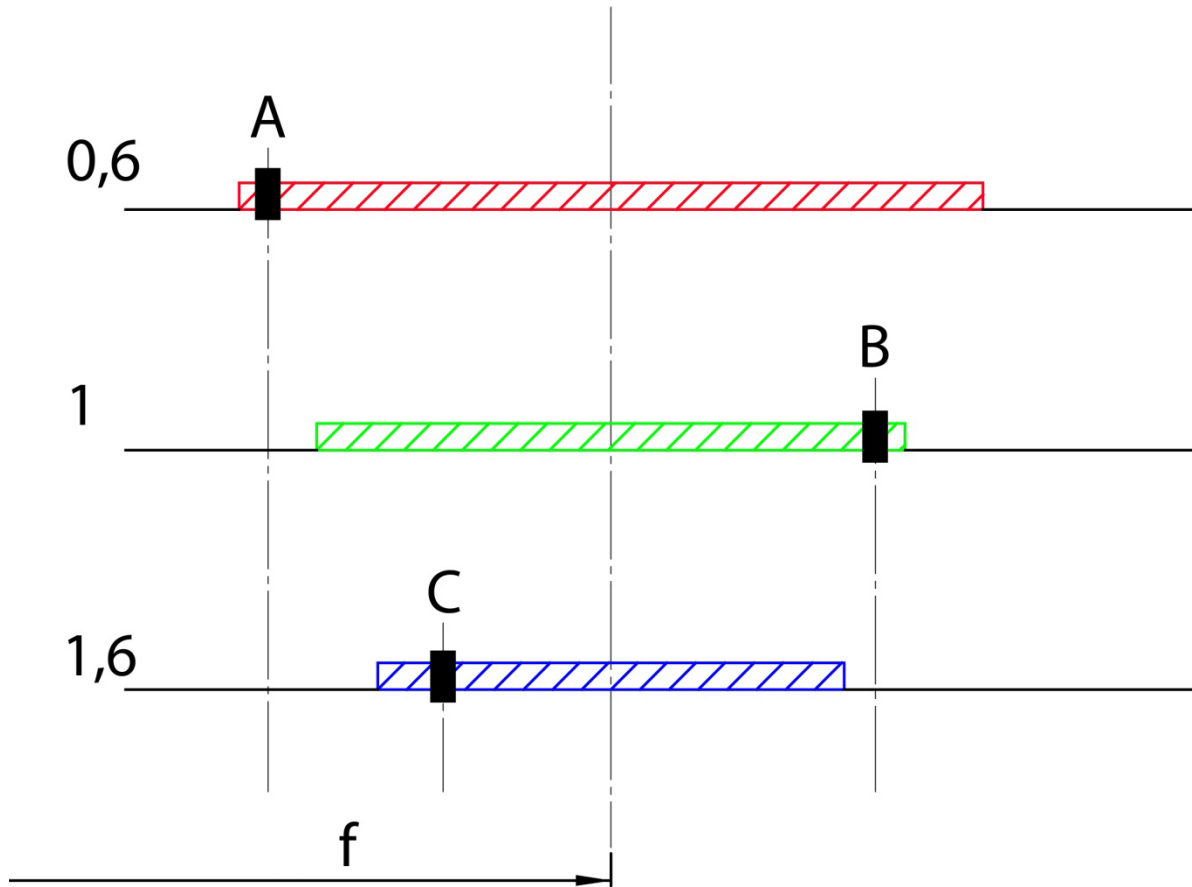
Focal Length – Working Distance



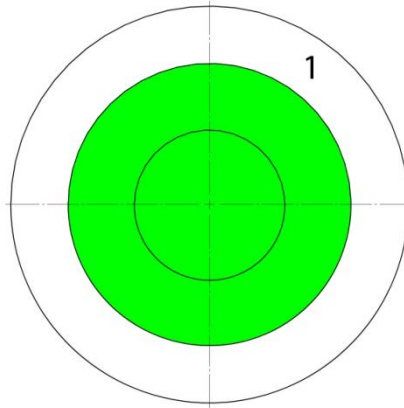
Focal Length – Working Distance



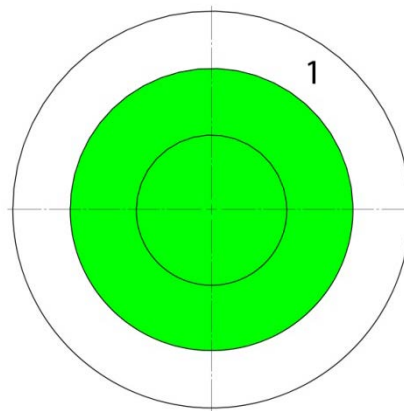
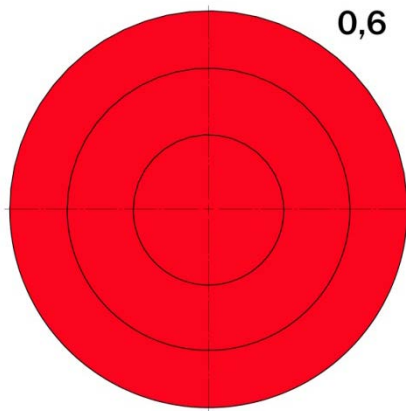
Depth of Field



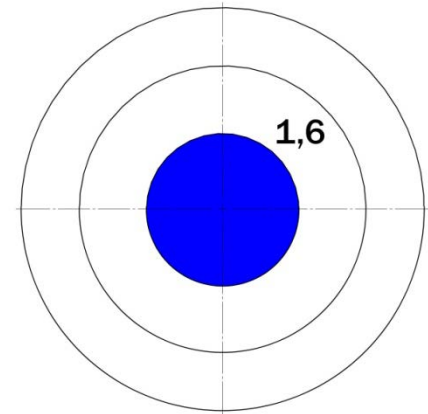
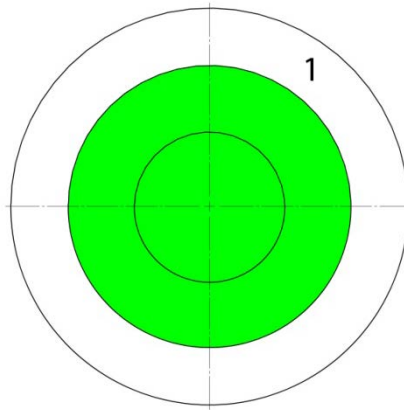
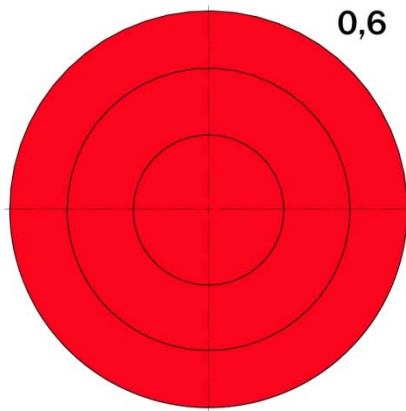
Field of View



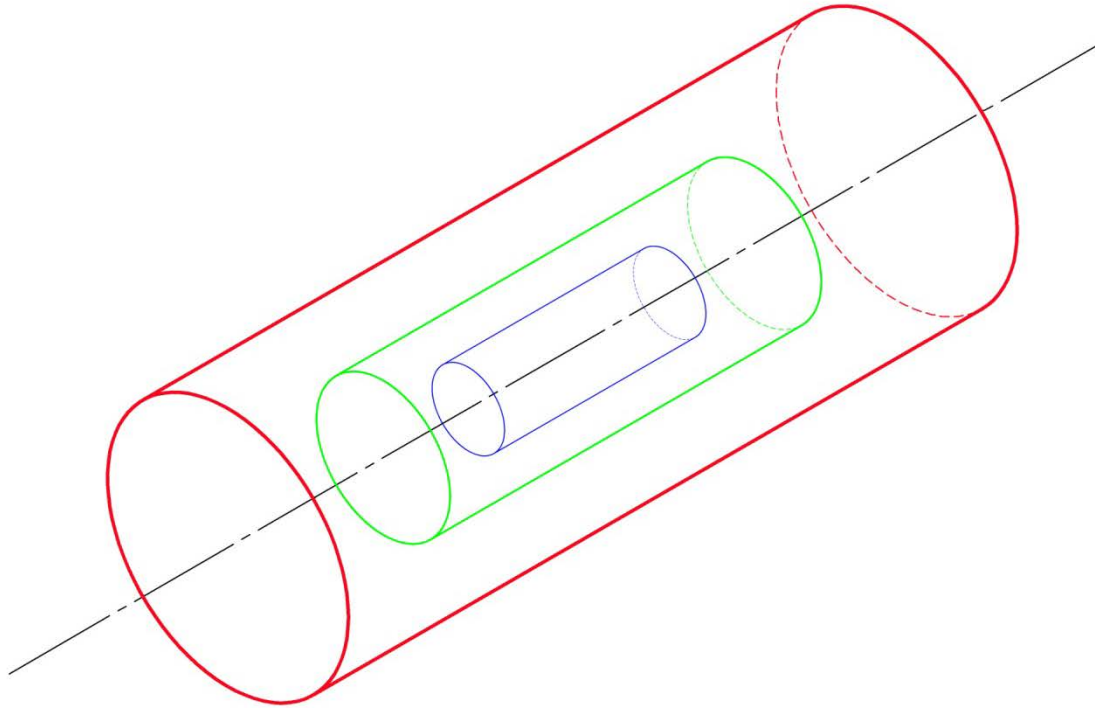
Field of View



Field of View



Field



Field

